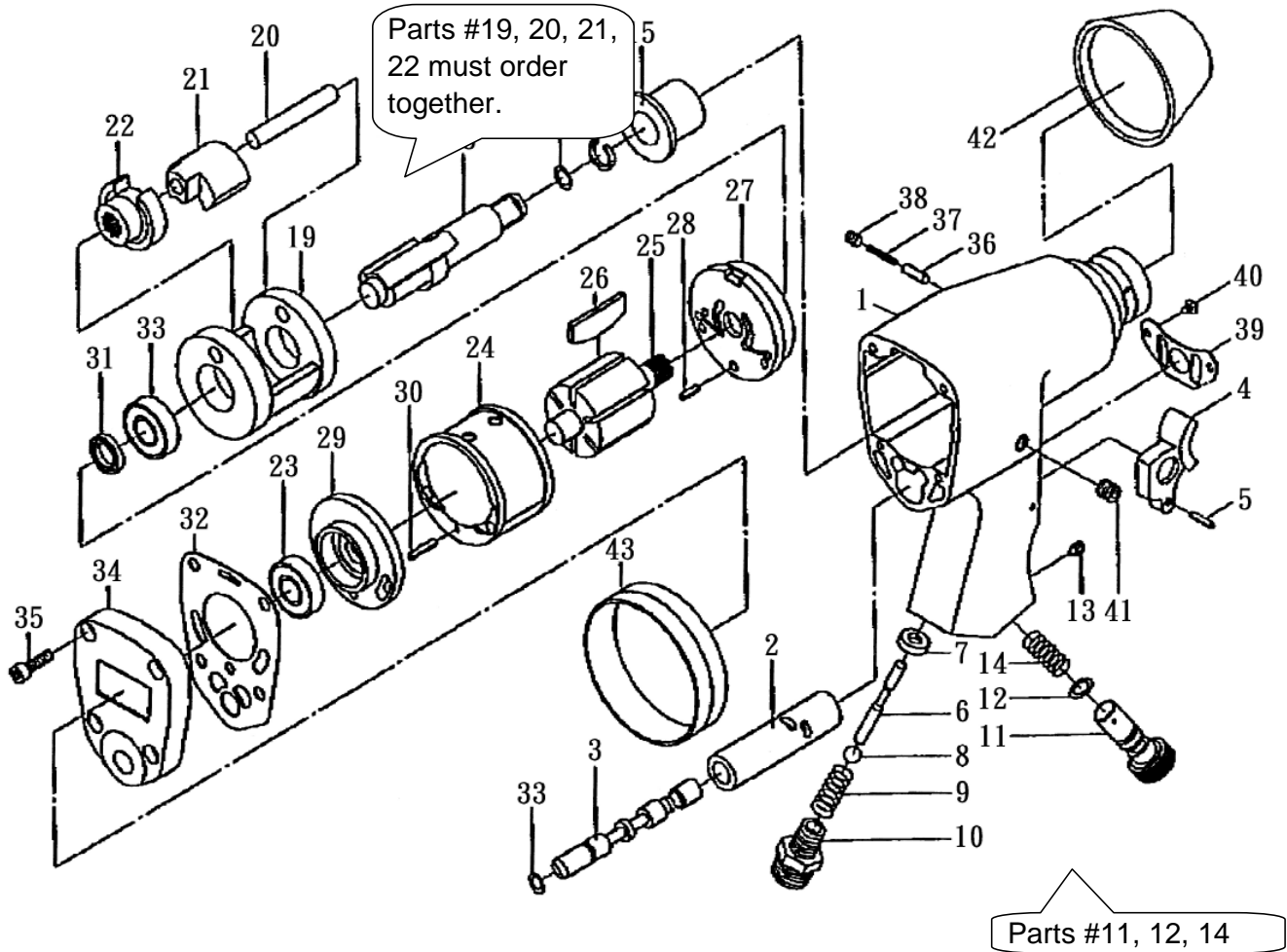


1/2" SQ.DR. GENERAL DUTY IMPCAT WRENCH



KI-850 1/2" SQ.DR. GENERAL DUTY IMPCAT WRENCH

INDEX NO.	DESCRIPTION	REQ'D NO.
850-1	HOUSING	1
850-2	VALVE SLEEVE	1
850-3	REVERSE VALVE	1
850-4	TRIGGER	1
850-5	PIN	1
850-6	VALVE STEM	1
850-7	BUSHING	1
850-8	STEEL BALL	1
850-9	SPRING	1
850-10	AIR INLET	1
850-11	AIR REGULATOR	1
850-12	O-RING	1
850-13	SCREW	1
850-14	SPRING	1
850-15	BUSHING	1
850-16	ANVIL COLLAR	1
850-17	O-RING	1
850-18	ANVIL	1
850-19	HAMMER CAGE	1
850-20	PIN	1
850-21	HAMMER DOG	1
850-22	DRIVE CAM	1

INDEX NO.	DESCRIPTION	REQ'D NO.
850-23	BEARING(2)	2
850-24	CYLINDER	1
850-25	ROTOR	1
850-26	ROTOR BLADE(6)	6
850-27	FRONT PLATE	1
850-28	PIN	1
850-29	END PLATE	1
850-30	PIN	1
850-31	OIL SEAL	1
850-32	REAR GASKET	1
850-33	O-RING	1
850-34	REAR COVER	1
850-35	SCREW	4
850-36	PIN	1
850-37	SPRING	1
850-38	SCREW	1
850-39	MUFFLE COVER	1
850-40	SCREW	2
850-41	SCREW	1
850-42	PROTECTOR RUBBER	1
850-43	RUBBER	1

**REMARKS :

Parts #19, 20, 21, 22 must order together.

Parts #11, 12, 14 must order together.